

SAC | Sanitary Autoclave Classic

Specifications

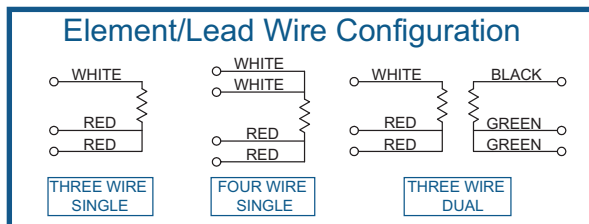
The SAC is a precision sensor in a lightweight package ideally suited for smaller autoclave applications or “walk-in” applications where the sensor will experience minimal handling stress. The completely waterproof design is built to withstand the harsh, repeated steam/vacuum cycling of the autoclave process while maintaining the highest levels of accuracy and repeatability. This classic Burns design has over a decade of field-proven performance.

Features and Benefits:

- Application: Chamber or load probe
- Accuracy: Standard or precision
- Sheath: 316 stainless steel in 0.25" or 0.188" diameter
- Element/Lead Wire Configuration: Single 3 or 4 wire and dual 3 wire
- Cable: Twisted Teflon[®] insulated wires with Teflon[®] jacket
- Through-Wall Installation: Designed for elastomer compression fitting
- Cleanability: 316 stainless steel sheath and Teflon[®] cable construction

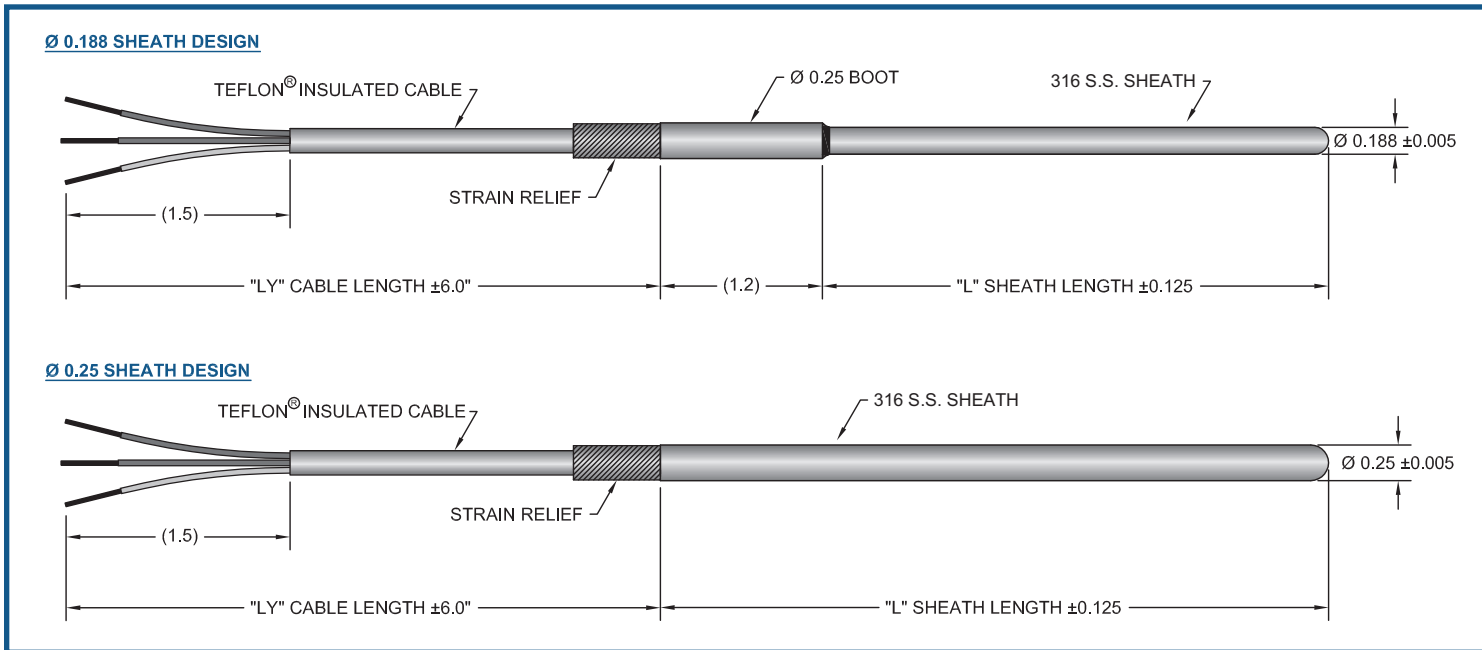
Specifications:

- Element Configuration: Single or Dual element, 100 ohms at 0°C, 0.00385 ohm/ohm/°C nominal alpha
- Temperature Range: -50°C to 200°C
- Transition Fitting and Cable Temperature Limits: -50°C to 200°C continuous
- R0 Interchangeability: R0 ±0.10 ohms or R0 ±0.05 ohms
- Short-Term Repeatability and Hysteresis: ±0.025°C (0.01 ohms) maximum change at 0°C over any 5 consecutive thermal cycles from -38°C to 135°C
- Repeatability: ±0.025°C (0.01 ohms) maximum shift at 0°C after 10 cycles between -38°C and 200°C
- Stability: ±0.05°C (0.02 ohms) maximum shift at 0°C after 1000 hours at 135°C
- Pressure: 1 psia to 35 psia
- Insulation Resistance: 100 megohms minimum at 100 VDC at room temperature



SAC | Sanitary Autoclave Classic

Ordering Information



All dimensions in inches

Accuracy options

- 10 Standard RTD +/-0.10% of resistance at 0 degrees C
- 05 Precision RTD +/-0.05% of resistance at 0 degrees C

Element / Wire Configuration and Sensor Diameter

- A3 *Three wire single element, 0.188 Dia. sensor sheath
- A4 *Three wire single element, 0.25 Dia. sensor sheath
- B3 Four wire single element, 0.188 Dia. sensor sheath
- B4 Four wire single element, 0.25 Dia. sensor sheath
- C4 *Three wire dual element, 0.25 Dia. sensor sheath

"L" Sensor Sheath Length

- 035 3.5 inch sensor length
- 040 4.0 inch sensor length
- 050 5.0 inch sensor length
- 060 6.0 inch sensor length

"LY" Cable Length

- 060 60.0 inch cable length
 - 120 120.0 inch cable length
 - 180 180.0 inch cable length
 - 240 240.0 inch cable length
- Specify cable length in inches, 12 inch increments

SAC

* For all Three Wire sensors – please specify **actual "installed" cable length** as certain lengths cannot be shortened upon installation without impacting sensor accuracy. Visit burnsengineering.com and type in keyword: SAC, SAL, SAH or SAX for the specification drawing with cable length criteria; or contact Burns Customer Service for more information.